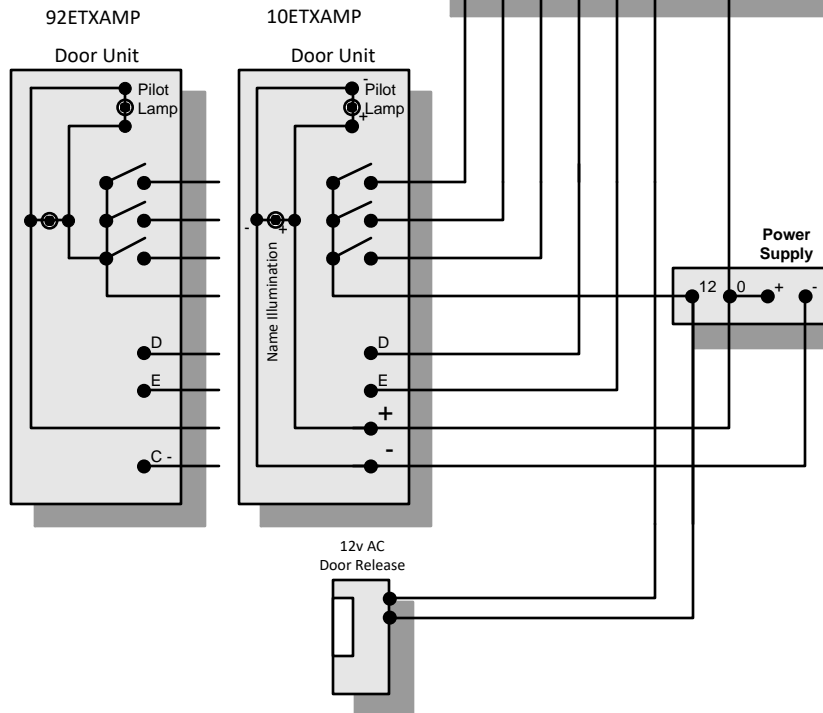
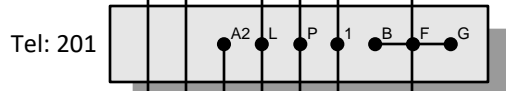
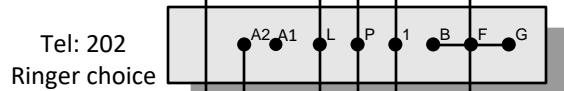
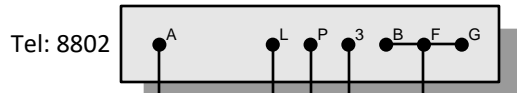


Phone model terminal differences
 Changing from 8802 to 201
 A changes to A2
 3 changes to 1

202 models have 2 buttons and second
 ringer option, A1 Buzzer.



This shows Upgrade differences when
 changing to speech modules.

Old type 92ETXAMP with 3 terminals D C E

New type 10ETXAMP with 4 terminals + - E D
 with volume controls.
 Also shows new LED lighting.
 Change DC Voltage setting at DA97 power
 supply to 12v DC option.

Connection Functions

At	Terminal	Function
D/U	D	Speech from door
D/U	E	Speech to door
PSU	12	12v AC for ringing & lock
PSU	0	12v AC for ringing & lock
PSU	+	12v DC for speech & lamps
PSU	-	12v DC for speech & lamps
TEL	A2	Ringer Warble
TEL	A1	Ringer buzzer (if fitted)
TEL	L	Speech from door
TEL	P	Speech to door
TEL	1	Lock button
TEL	B	Common for ringers
TEL	F	Common for speech
TEL	G	Common for buttons

Plan 1 Provides Ringing, Communication and Door Release functions.

Notes Insert LINKS everywhere shown ●●●. Ringer Warble volume, all phones have a spindle at the top left corner.
 Speech volume is adjustable on the back of the entrance panel. Speaker and Microphone have separate controls.

Title : WDA_Model-Changes

Date : July 2023 Drawn by : TH